

DISTINCTIVE TRACKS AND POLES LTD

TEL:- 0121 333 4099 FAX:- 0121 333 3352 EMAIL:- distinctivepoles@aol.com



ORBUS

29MM METAL POLES

CATALOGUE

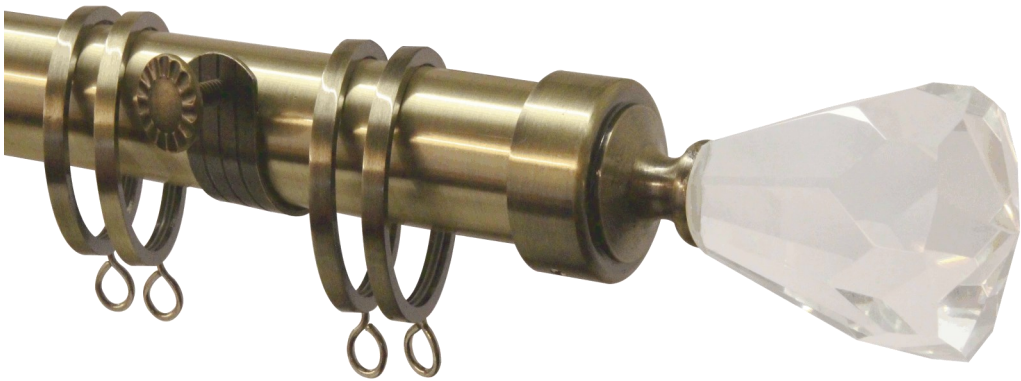


Our superb quality Orbus 29mm metal poles are available in Stainless Steel, Black, Antique Brass and Chrome.



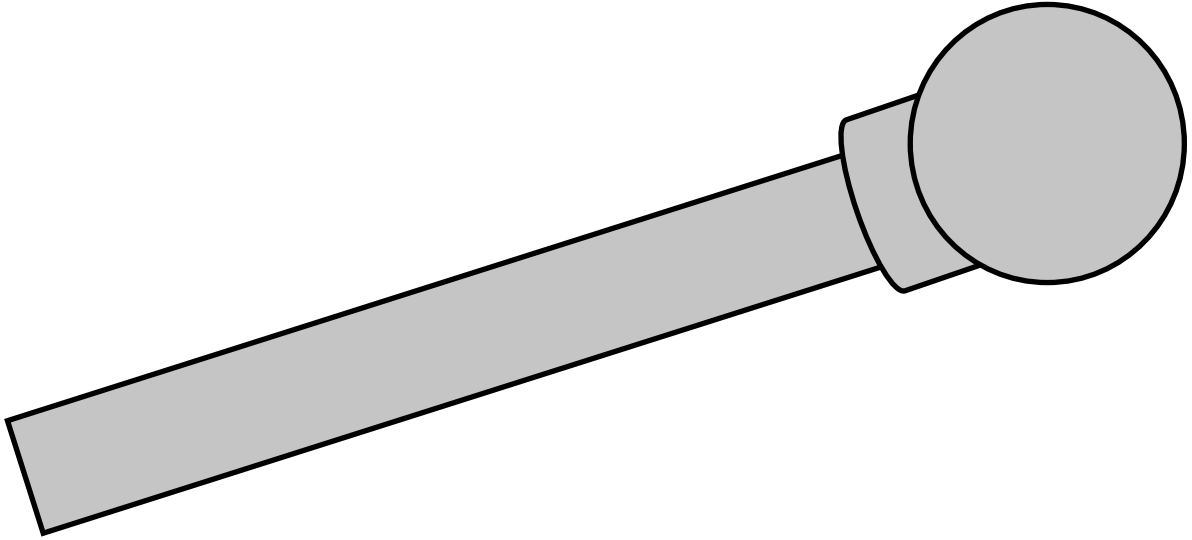
With a comprehensive choice of finials and brackets, this range is perfect for complimenting any contemporary home; particularly suitable for contracts as our specialists can cut the poles to size and our Eco friendly approach provides you with minimal but very secure packaging which will be labelled for its desired purpose (I.E bedroom + size).

We have a wide range of components to choose from which enables you to mix and match whichever styles and colours you wish.





RBUS



FINIALS



BALL



BULLET



TRUMPET



END CAP



BARREL



MARQUISE
PAGODA



MARQUISE
DIAMOND

BRACKETS



STANDARD



ADJUSTABLE



MODERN



CEILING



EXTEND-
ABLE



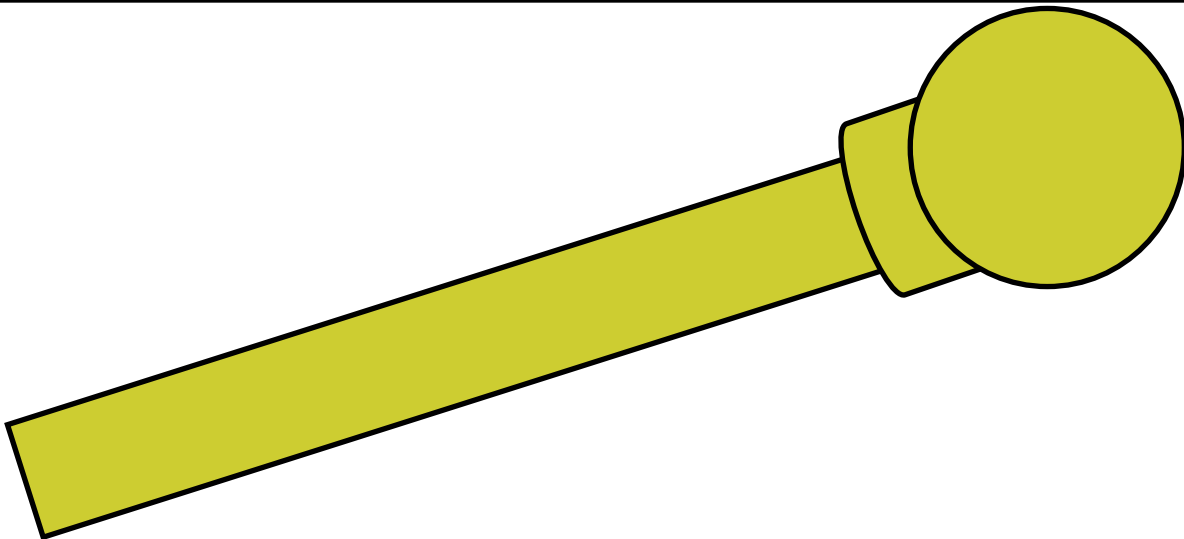
DOUBLES
(STANDARD AND MODERN)



RECESS



RBUS



FINIALS



BALL BULLET SPEAR TRUMPET END CAP MARQUISE
 PAGODA MARQUISE
 DIAMOND

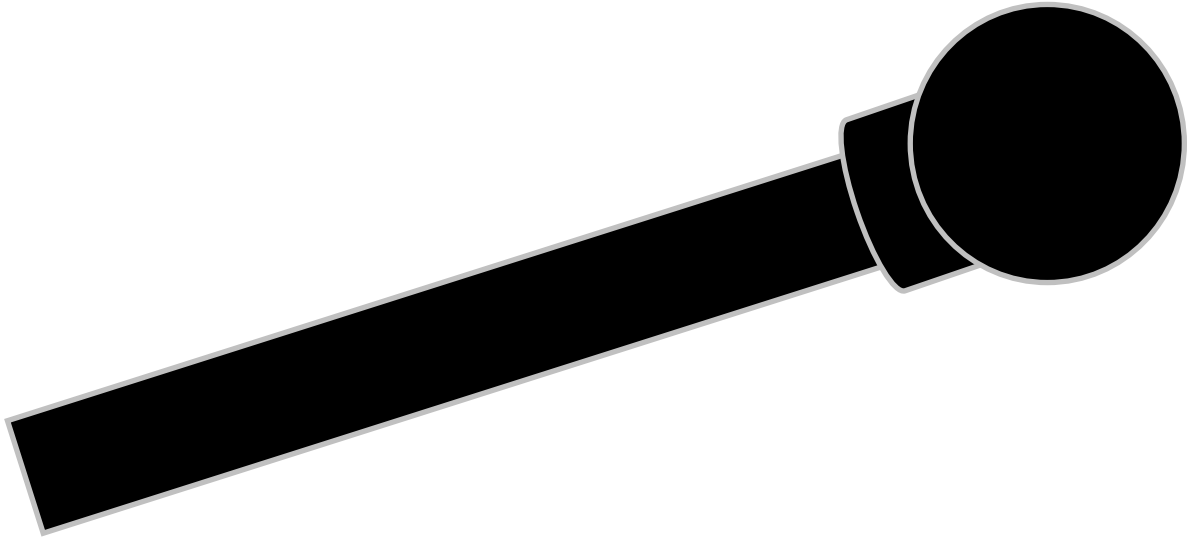
BRACKETS



STANDARD MODERN CEILING EXTENDABLE DOUBLE RECESS



RBUS



FINIALS



BALL



BULLET



SPEAR



TRUMPET



END CAP

BRACKETS



STANDARD



CEILING



EXTENDABLE

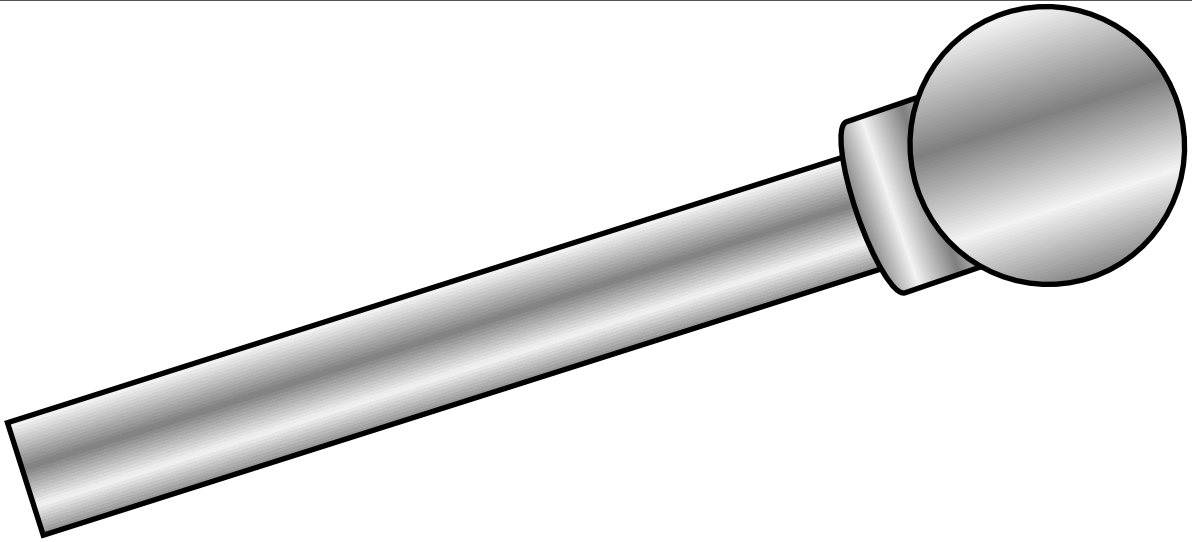


DOUBLE



RECESS

CHROME RBUS



FINIALS



BALL BULLET DOME TRUMPET BARREL END CAP MARQUISE MARQUISE
TRUMPET PAGODA DIAMOND

BRACKETS



STANDARD ADJUSTABLE MODERN CEILING EXTENDABLE RECESS



RBUS

RINGS



Nylon lined flat rings.
All colours

Holdbacks



Round unlined rings.
S/steel and chrome Only

Joining piece





RBUS

Tie Back Hooks



Chrome

Black

Brass

Antique

Brass

Draw Rods



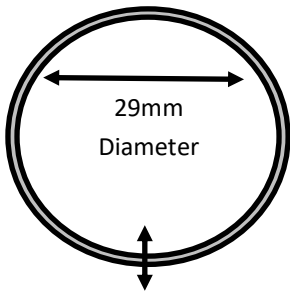
White



Transparent

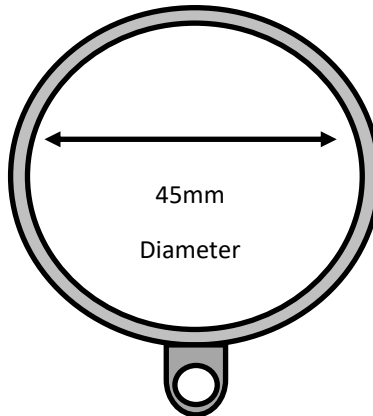
Extra information

Tube

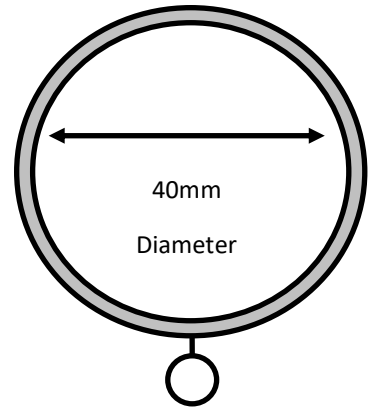


1.2mm Tube thickness, this is more substantial than most standard tubes which usually have a thickness of 0.8mm

Standard and round lined rings



Flat lined rings



Standard Pole Sizes (these can be cut down to size or extended using a joining piece)

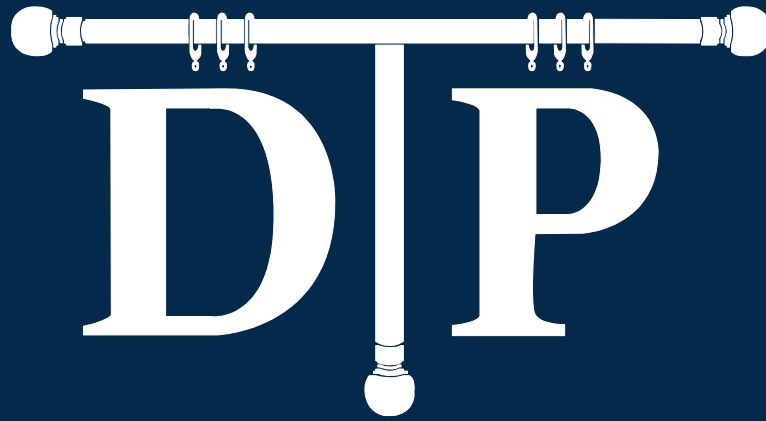
	1.2M	1.5M	1.6M	1.8M	2.0M	2.4M	3.0M	5.0M
S/Steel		👍			👍	👍	👍	👍
Chrome	👍		👍	👍	👍	👍		
A/Brass				👍	👍			
Black							👍	

Display Board

Display boards are available for £35 + V.A.T (credited once you have achieved a £500 total spend)

These are designed and crafted in our workshop to show the very best of the Orbus range, the carbon fibre background highlights the fantastic colours on offer. There is a chain attached so that the board can be hung.





DISTINCTIVE TRACKS AND POLES LTD

28 BREARLEY STREET

HOCKLEY

BIRMINGHAM

B19 3NR

TEL:- 0121 333 4099 FAX:- 0121 333 3352

EMAIL:- distinctivepoles@aol.com

www.distinctivetracksandpoles.com